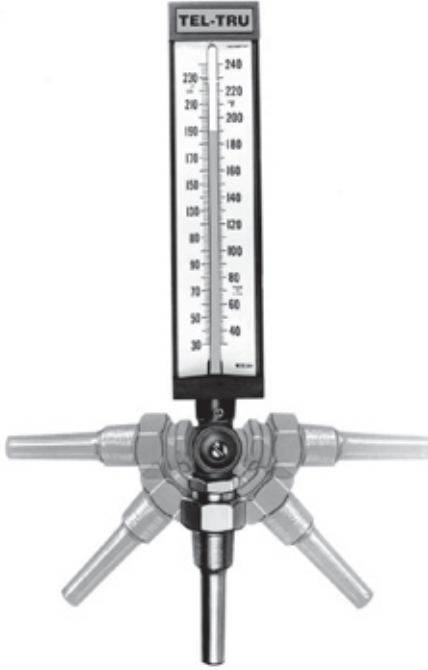


ADJUSTABLE ANGLE THERMOMETERS

Commercial grade units available with 9" aluminum or plastic cases, spirit fill, and 3½" or 6" stems. Unit can be adjusted for easy reading at any angle.



► SPECIFICATIONS

- Case: 9" black case either Cylolac plastic or die cast aluminum.
- Lens: Heavy duty protective glass.
- Tube: Spirit fill.
- Scale: Easy-to-read bold black print on white V-shaped aluminum scale.
- Accuracy: ±1 scale division.
- Stem: Stem and socket are aluminum with a brass thermowell connection. Stem is tapered to fit a matched taper in the thermowell, giving metal to metal contact and maximum sensitivity.
- Connection: 1¼" - 18 UNEF2A threaded brass coupling nut connection to fit thermowell.
- Adjustment: Thermometer can be rotated 180° quickly and easily simply by adjusting two screws.

► OPTIONS

- Other configuration combinations available upon request.
- Plastic lens.

► IMPORTANT NOTE

- Plastic case should not be subjected to ambient temperatures greater than 200°F (93°C).

| ADJUSTABLE ANGLE DIMENSIONS | | | | | |
|-----------------------------|------------------------------------|---------------------------------|----------------------------------|---------------------------------|--|
| Scale Z | X | W | T | Y | |
| 9" | 11 ²¹ / ₃₂ " | 2 ³ / ₈ " | 2 ⁹ / ₃₂ " | 1 ³ / ₄ " | |

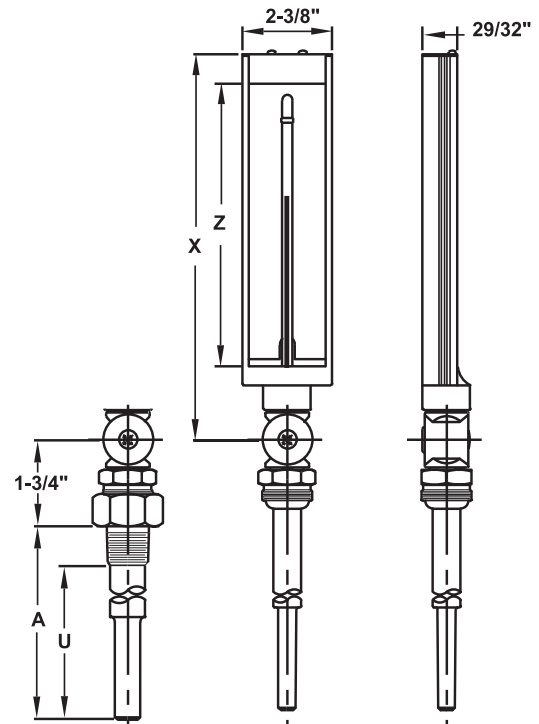
CYCOLAC PLASTIC CASE PART NUMBERS

| A-Stem | U-Insert. | Spirit |
|--------|-----------|----------|
| 3½" | 2½" | 81203XX1 |
| 6" | 5" | 81206XX1 |

ALUMINUM CASE PART NUMBERS

| A-Stem | U-Insert. | Spirit |
|--------|-----------|----------|
| 3½" | 2½" | 91203XX1 |
| 6" | 5" | 91206XX1 |

XX=Temperature Range Code
(see page 3 for standard temperature ranges)

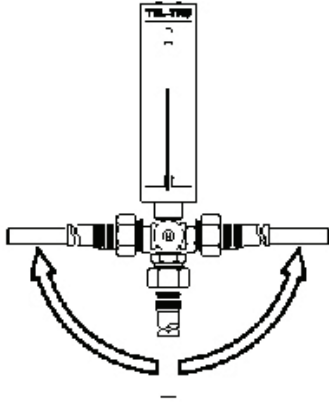




Tel-Tru Manufacturing Company

408 St. Paul Street, Rochester, New York 14605 USA

Phone: 585-232-1440 • 800-232-5335 • Fax: 585-232-3857 • E-mail: info@teltru.com • Web: www.teltru.com



**Spirit Fill
Adjustable Angle
Thermometer**

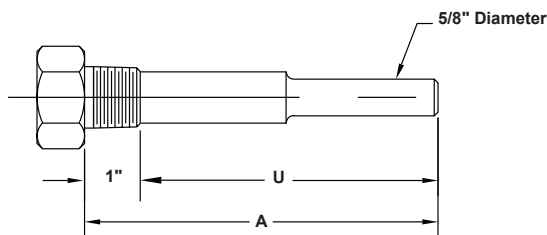
*An
Environmentally
Safe Alternative to
Mercury!*

| SPIRIT FILL STANDARD RANGES | | | | | |
|-----------------------------|--------|-----------|-------------|--------|-----------|
| Fahrenheit | °/Div. | Code | Celsius | °/Div. | Code |
| -40 to 110°F | 2° | 16 | -40 to 40°C | 1° | 32 |
| 0 to 120°F | 1° | 06 | -15 to 50°C | 1/2° | 47 |
| 0 to 160°F | 2° | 19 | -15 to 70°C | 1° | 48 |
| 20 to 180°F | 2° | 08 | 0 to 115°C | 1° | 34 |
| 30 to 240°F | 2° | 22 | 0 to 150°C | 1° | 35 |
| 30 to 300°F | 2° | 23 | | | |

| SPIRIT FILL DUAL SCALE RANGES | | | | | |
|-------------------------------|-------------|---------|-----------|--|--|
| Fahrenheit and Celsius | | °/Div. | Code | | |
| -40 to 110°F | -40 to 43°C | 2°/1° | 20 | | |
| 0 to 120°F | -17 to 49°C | 1°/1/2° | 26 | | |
| 0 to 160°F | -17 to 71°C | 2°/1° | 28 | | |
| 20 to 180°F | -6 to 82°C | 2°/1° | 29 | | |
| 30 to 240°F | 0 to 114°C | 2°/1° | 30 | | |
| 30 to 300°F | -1 to 149°C | 2°/1° | 36 | | |

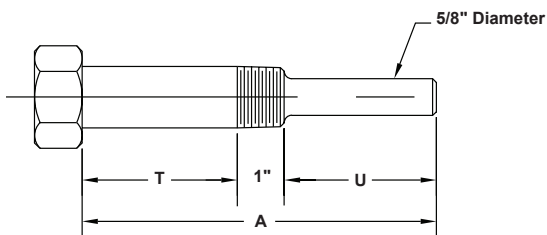
► THERMOWELLS

STANDARD THERMOWELL



| STANDARD THERMOWELL PART NUMBERS | | | | | |
|----------------------------------|-----------|------|-----------------|-----------------|-----------------|
| A-Stem | U-Insert. | NPT | Brass | 304SS | 316SS |
| 3 1/2" | 2 1/2" | 3/4" | GW001201 | GW001203 | GW001204 |
| 6" | 5" | 3/4" | GW002201 | GW002203 | GW002204 |

LAGGING EXTENSION THERMOWELL



| LAGGING EXTENSION THERMOWELL PART NUMBERS | | | | | | |
|---|--------------|---------------|------|-----------------|-----------------|-----------------|
| A- Stem | T- Exten. | U- Insert. | NPT | Brass | 304SS | 316SS |
| 3 1/2" | 1" | 1 1/2" | 3/4" | GWE01201 | GWE01203 | GWE01204 |
| 6" | 2 1/2" | 2 1/2" | 3/4" | GWE02201 | GWE02203 | GWE02204 |